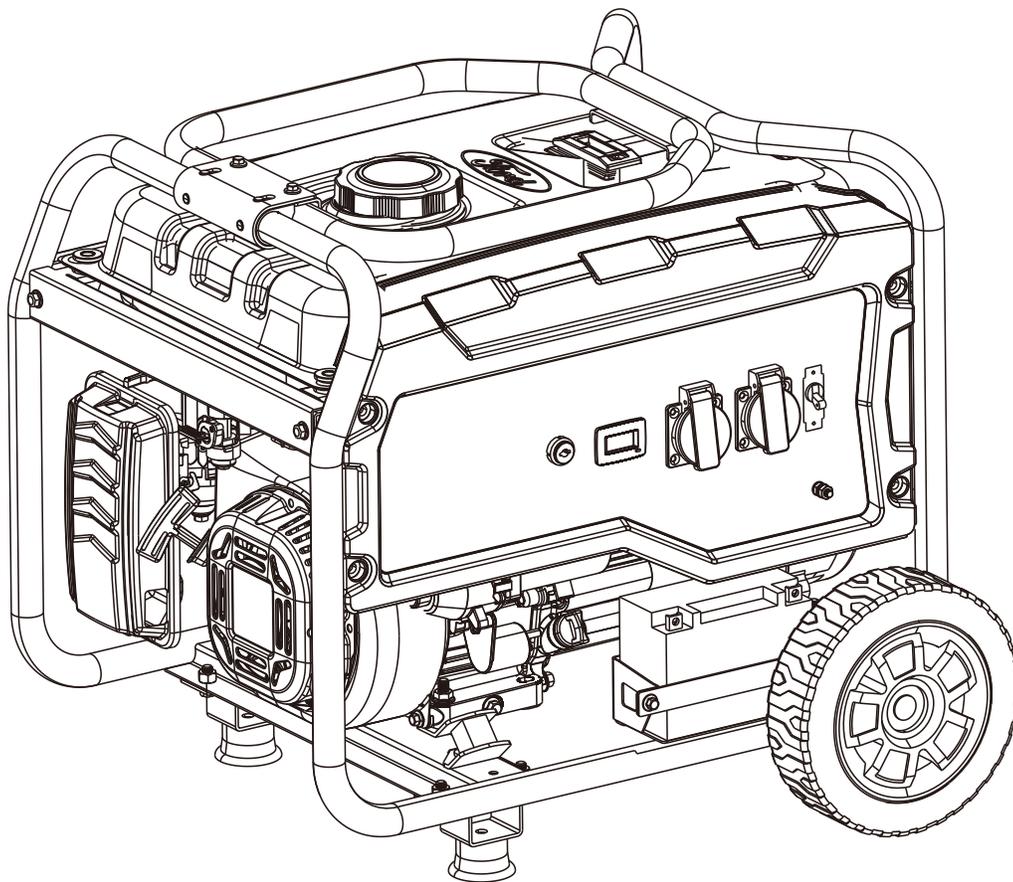




MODEL#:FG4050(E)
FG4650(E)

Gasoline (Petrol) Generator

OPERATOR'S MANUAL
ORIGINAL INSTRUCTIONS



LICENCED BY: PULSAR PRODUCTS INC
2051 S Lynx Place, Ontario, California, U.S.A 91761

TABLE OF CONTENTS

Introduction.....	3
Safety Rules.....	4
Safety Symbols.....	4
Safety Instructions.....	4
Features.....	7
Assembly.....	12
Unpacking.....	12
Packing List.....	12
Attaching Battery Cable.....	13
Adding / Checking engine oil.....	14
Adding Fuel.....	14
Connecting Generator to an Electrical System.....	15
Operation.....	15
Grounding the Generator.....	16
How to Start Engine.....	16
How to Stop Engine.....	17
Receptacles and Extension Cords.....	19
Don't Overload Generator.....	20
Power Management.....	21
Cold Weather Operation.....	21
Maintenance.....	22
Pre-operation steps.....	20
Maintenance Schedule.....	20
Changing Oil.....	21
Storage and Transportation of the Generator.....	24
Troubleshooting.....	27
Diagrams.....	28
Noise.....	34
Service.....	35

INTRODUCTION

Thank you for purchasing this superior quality portable generator from Ford Power Equipment. When operating and maintaining this product as instructed in this manual, your generator will give you many years of reliable service.

Product Specifications:

This generator is an engine-driven, revolving field, alternating current (AC) portable generator. It is designed to supply electrical power to operate tools, appliances, camping equipment, lighting, or serve as a back up power source during power outages.

		FG4050(E)	FG4650(E)
AC Output	Frequency	50HZ	
	Power (COP)	2500W	2800W
	Power (MAX.)	2800W	3000W
	Voltage	220-240V (UK:115V/230V)	
Engine	208cc OHV, 4 Stroke, Air Cooled		
Engine Oil	10W30 - 20oz (0.6L)		
Fuel Tank	4.0 Gal (15L) Unleaded Gasoline (Petrol)		

- The rated power output of the generator, the following standard reference conditions shall be used
 - Total barometric pressure: 100kPa.
 - Air ambient temperature: 298K (25°C) .
 - Relative humidity: 30% .
 - Max. Altitude: 1000m.



SAVE THIS MANUAL FOR FUTURE REFERENCE

This manual contains important information regarding safety, operation, and maintenance.

SAFETY RULES

Safety Symbols



Indicates a potentially hazardous situation which could result in serious injury or death if not avoided.



Indicates a potentially hazardous situation which could result in damage to equipment or property.



Injury of damage



Read manual before use



Wear noise protection



Toxic fumes



Risk of fire



Risk of explosion



Risk of electric shock



Hot surface



Lifting hazard

Safety Instructions

The manufacturer cannot anticipate every possible hazardous circumstance that the user may encounter. Therefore, the warnings in this manual, on tags, and on affixed decals are not all-inclusive. To avoid accidents, the user must understand and follow all manual instructions and use common sense.



Read and understand this manual in its entirety before operating this generator. Improper use of this generator could result in serious injury or death.



Exhaust gas is poisonous; do not operate in an unventilated area.

- Using a generator indoors **WILL KILL YOU IN MINUTES!**
- Carbon monoxide gas is a poisonous, odorless gas that can cause headache, confusion, fatigue, nausea, fainting, sickness, seizures, or death. If you start to experience any of these symptoms, **IMMEDIATELY** get fresh air and seek medical attention.
- Never use indoors, in a covered area, or in a confined space, even if doors and windows are open.
- Install a battery operated carbon monoxide alarm near bedrooms.
- Keep exhaust from this unit from entering a confined area through windows, doors, vents, or other openings.
- When working in areas where vapors could be inhaled, use a respirator mask according to all of its instructions.

SAFETY RULES



WARNING

Engine exhaust contains chemicals that lead to cause cancer and birth defects.

- Always wash hands after handling generator.



WARNING



To reduce the risk of serious injury, avoid attempting to lift the generator alone.



WARNING

Never exceed generator's wattage / amperage capacity. This could damage the generator and / or connected electrical devices.

- Check operating voltage and frequency requirements of all electrical devices prior to plugging them into the generator.



WARNING

Never start or stop engine with electrical devices plugged in to the receptacles. Failure to do so could damage the generator and / or connected electrical devices.

- Always start the engine and let it stabilize before connecting any electronic devices.
- Disconnect all electronic devices before stopping the engine.



WARNING

Starter and other moving parts can catch on clothing, jewelry, and hair.

- Do not wear loose clothing or gloves.
- Remove jewelry or anything else that could be caught in moving parts.
- Tie back or wear protective head covering to contain long hair.



WARNING

Pull cord recoils rapidly and pulls arm towards engine faster than you can let go which could result in injury.

- To avoid the dangers of injury caused by the sudden change of rotation direction of the engine, pull starter cord slowly until resistance is felt, then pull rapidly.



WARNING



Avoid contacting hot areas of this unit.

- Use caution around the muffler, cylinder, and other engine parts as they can be extremely hot.
- Allow hot components to cool before touching.



WARNING

The precautions to be respected by the user in the case of re-supply by generating sets of an installation, depending on existing protective measures in this installation and applicable regulations.



WARNING

Fuel is combustible and easily ignited. Do not refuel during operation. Do not refuel while smoking or near naked flames. Do not spill fuel.

SAFETY RULES

WARNING



This generator produces a very high voltage which could result in burns or electrocution causing serious injury or death.

- Never handle the generator, electronic devices, or any cord while standing in water, while barefoot, or when hands or feet are wet.
- Always keep the generator dry. Never operate generator in rain or under wet conditions.
- Never plug electronic devices into generator having frayed, worn, or bare wires. Never touch bare wires or make contact with receptacles.
- Never permit a child or unqualified person to operate generator. Keep children a minimum of 10 feet away from the generator at all times.
- If using the generator for back up power, notify the utility company.
- If connecting generator to a building's electrical system for standby power, you must use a qualified electrician to install a transfer switch. Failure to isolate the generator from the power utility could result in serious injury or death to electric utility workers.
- When using extension lines or mobile distribution networks the total length of lines for a cross section of 1.5 mm² should not exceed 60 m; for a cross section of 2.5 mm² this should not exceed 100 m.
- The generating set must not be connected to other power sources except with accessory advised by the manufacturer or other generators with the same model.
- Save these instructions. Refer to them frequently and use them to instruct others who may use this product. If you loan someone this product, loan these instructions also.

WARNING



Generator must be properly grounded to prevent electrocution.

- Only operate generator on a level surface.
- Always connect the nut and ground terminal on the frame to an appropriate ground source.

WARNING

Only use this unit as intended or serious injury or death could result.

- Do not bypass any safety device. Moving parts are covered with guards. Make sure all protective covers are in place.
- Never transport or make adjustments to this unit while it is running.
- Never insert objects through cooling slots.

WARNING

Never operate this unit if there are any broken or missing parts and only use Ford Power Equipment replacement parts specifically designed for this unit.

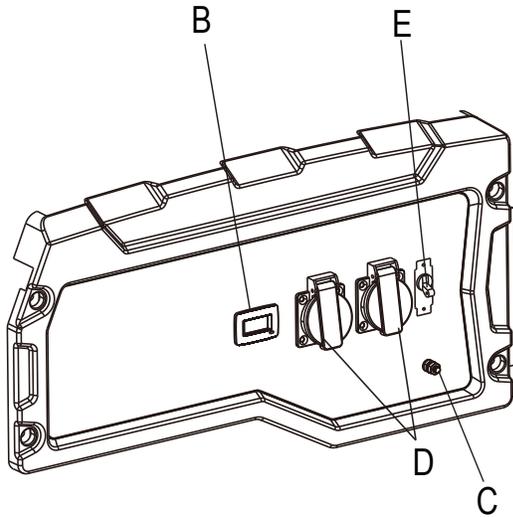
- Improper treatment of generator can damage the unit and shorten its life.
- Always repair this unit as specified in this manual. If you have any questions contact your dealer or consult a qualified service center.
- Shut generator off if electrical output is missing, unit vibrates excessively or begins to smoke, spark or emit flames.

WARNING

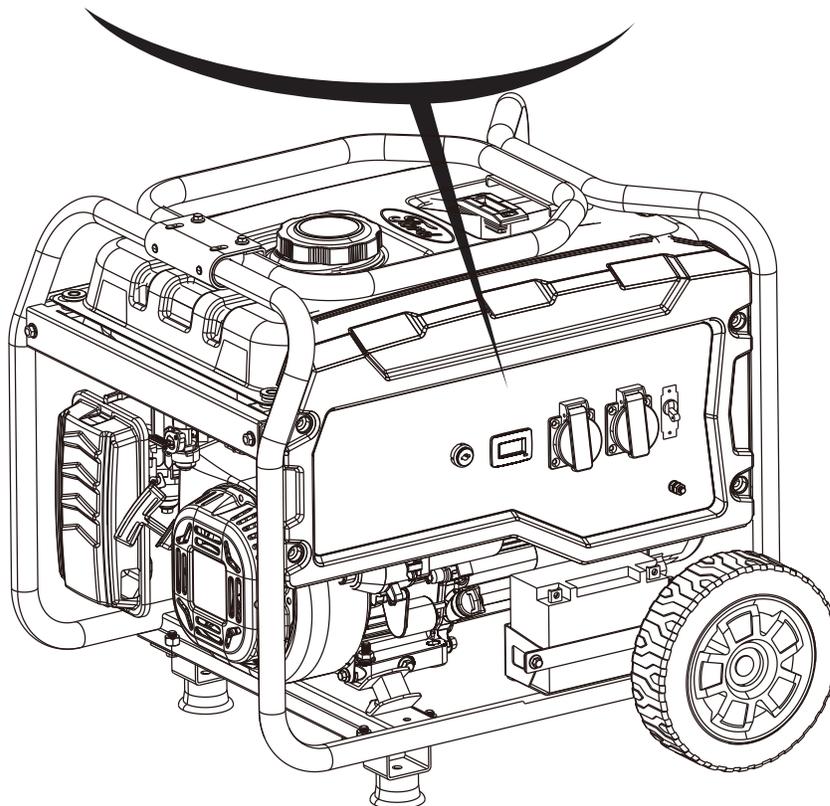
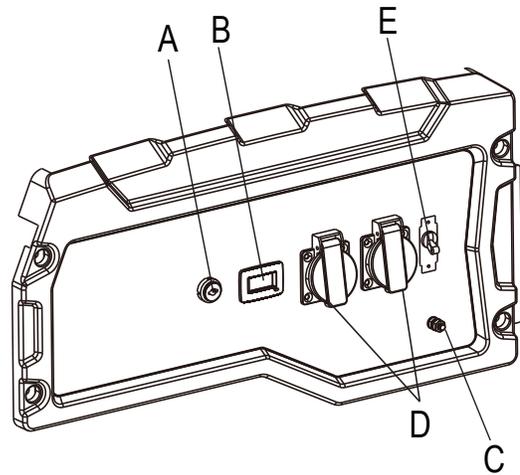
The user that he shall conform to regulations of electrical safety applicable to the place where the generating sets are used.

FEATURES

FG4050 / FG4650



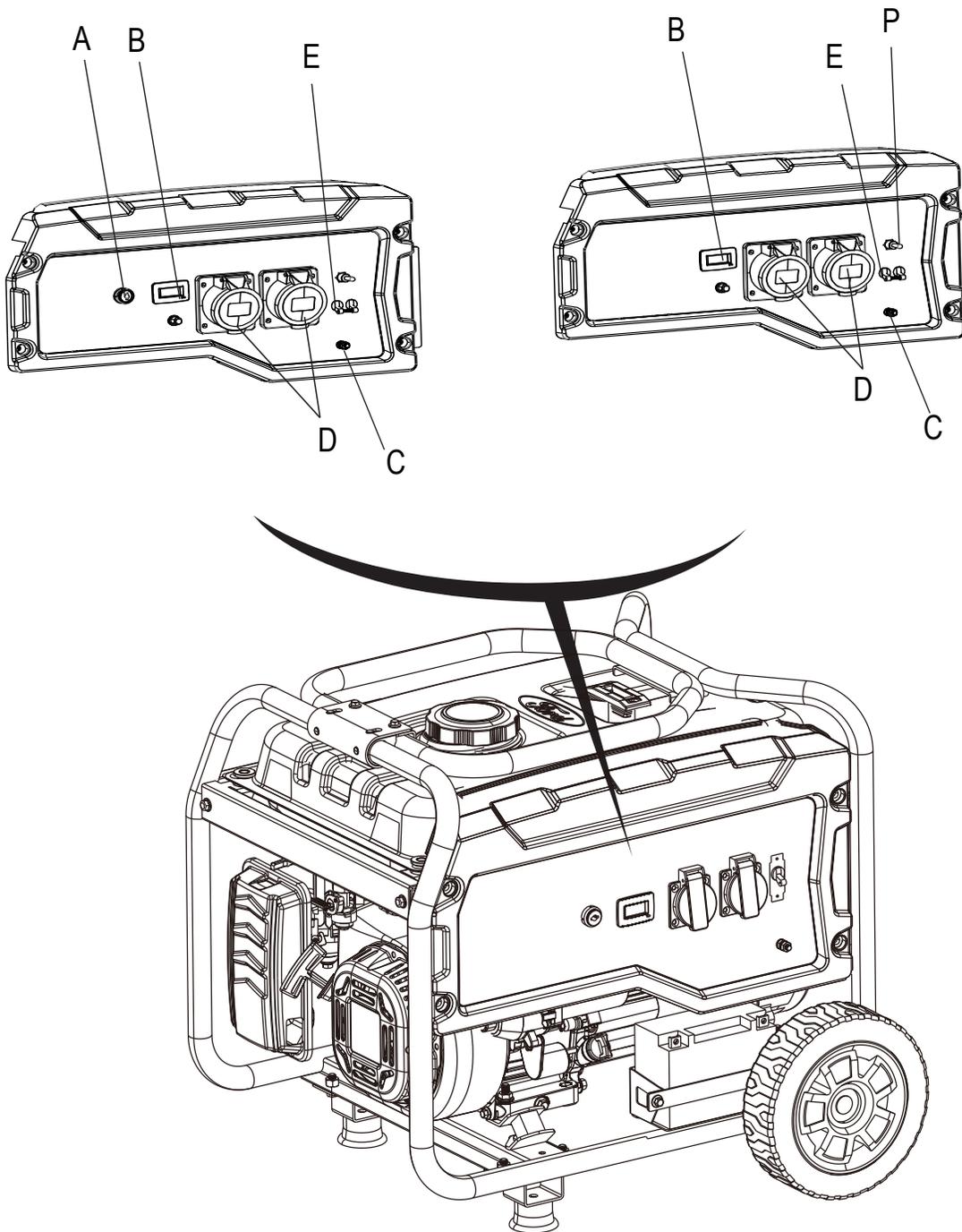
FG4050E / FG4650E



- A - ON/OFF Switch
- B - VFT Meter (Voltage, Frequency, Time/hours)
- C - Grounding Stud

- D - Sockets 230V
- E - Circuit Protectors

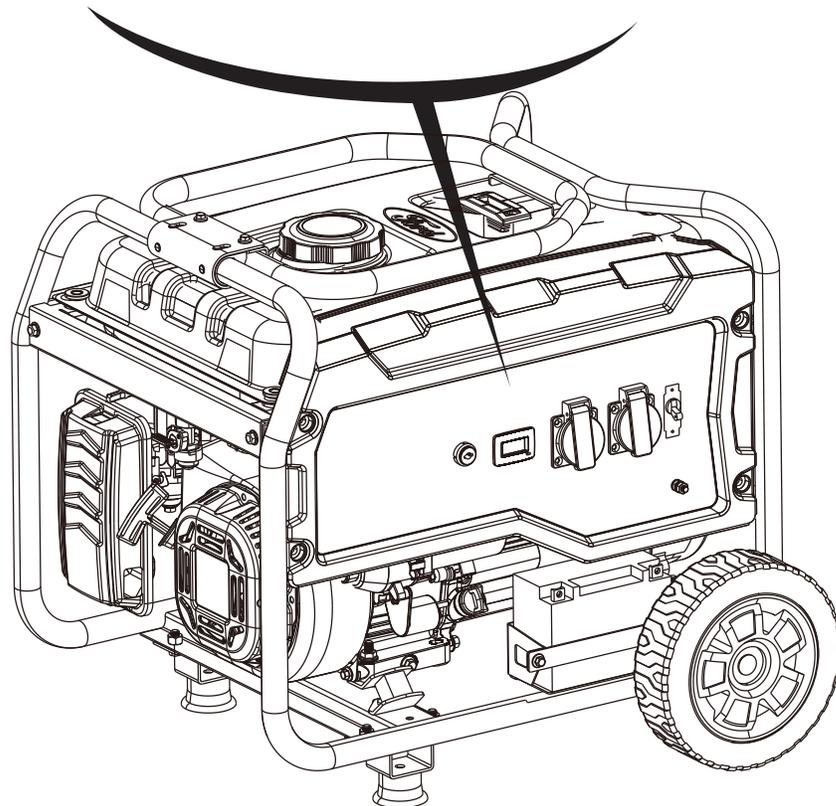
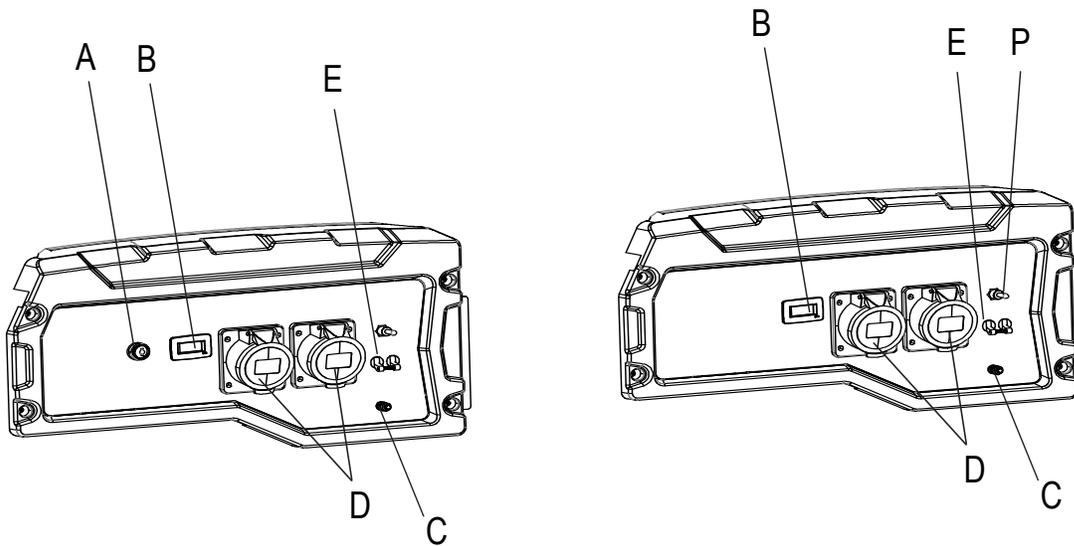
FEATURES-UK



- A - ON/OFF Switch
- B - VFT Meter (Voltage, Frequency, Time/hours)
- C - Grounding Stud

- D - Sockets 230V
- E - Circuit Protectors
- P - Voltage Switch

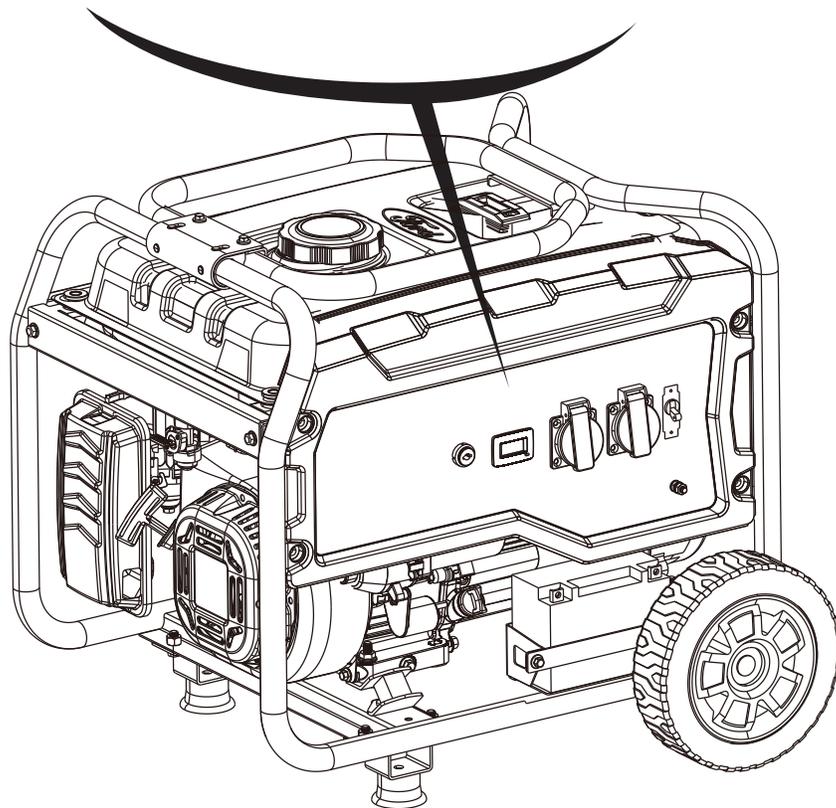
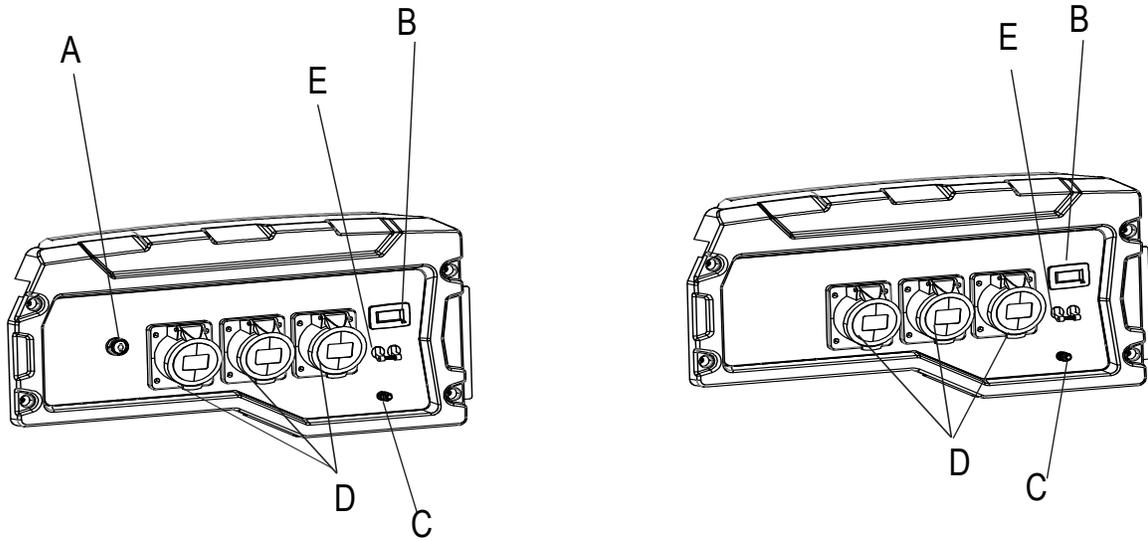
FEATURES-UK



A - ON/OFF Switch
B - VFT Meter (Voltage, Frequency, Time/hours)
C - Grounding Stud

D - Sockets 230V
E - Circuit Protectors
P - Voltage Switch

FEATURES-UK



A - ON/OFF Switch

B - VFT Meter (Voltage, Frequency, Time/hours)

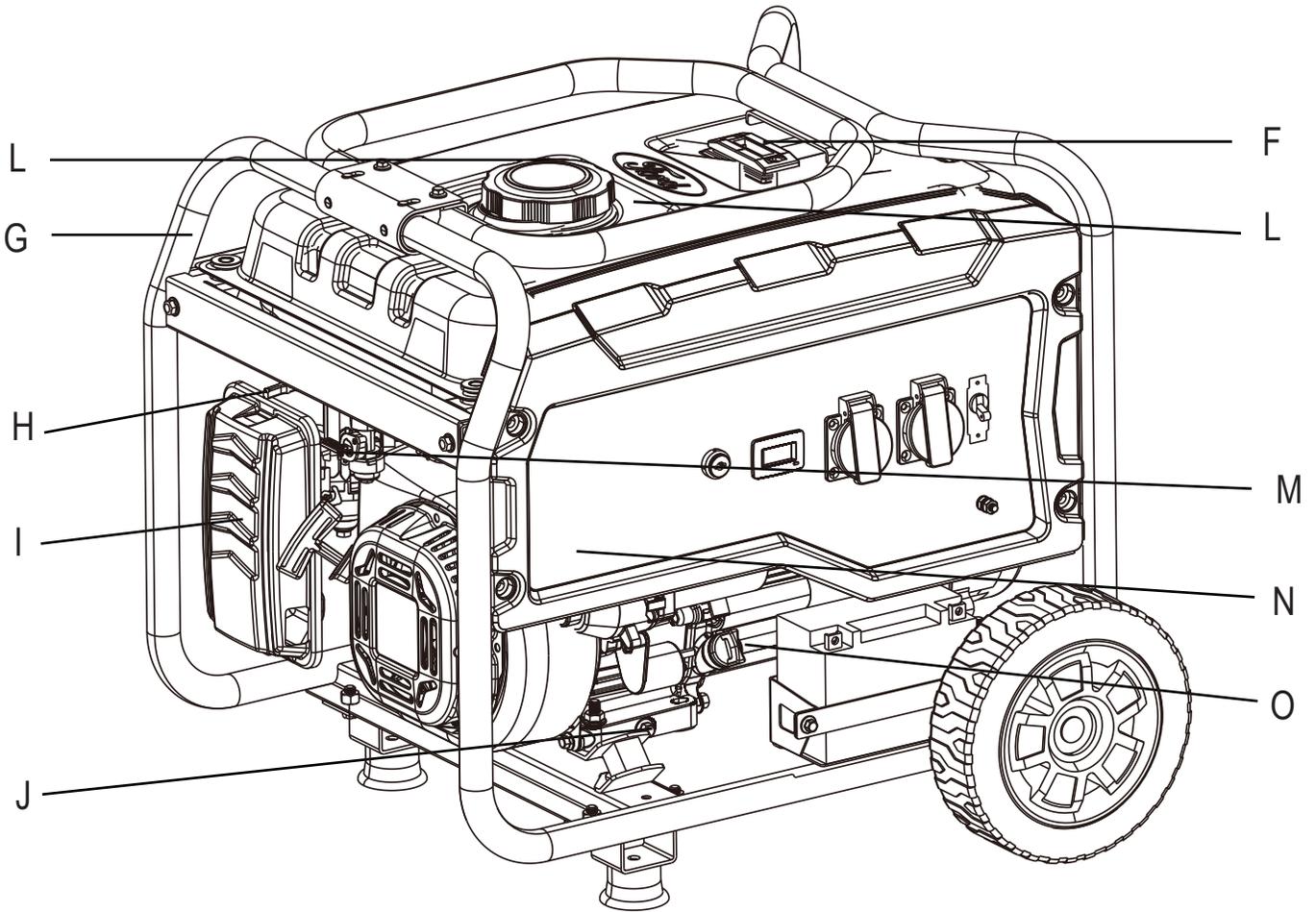
C - Grounding Stud

D - Sockets 230V

E - Circuit Protectors

P - Voltage Switch

FEATURES



F - Fuel Gauge
G - Generator Frame
H - Choke Lever
I - Air Filter
J - Oil Drain Plug

K - Fuel Tank
L - Fuel Fill Cap
M - Fuel Valve (ON/OFF)
N - Recoil Starter Grip
O - Oil Fill (Dipstick)

ASSEMBLY

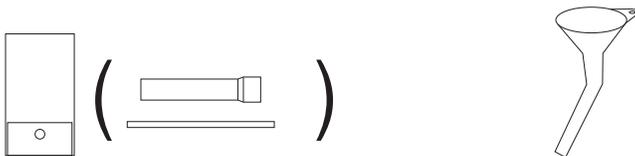
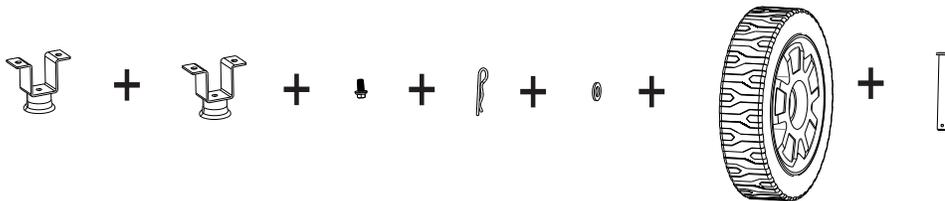
Unpacking

1. Place box on a level surface.
2. Remove all items from box except the generator. Make sure all items listed on the packing list are included and not damaged.
3. Cut down the sides of the box being careful to avoid hitting the generator.

Packing List

Check all loose parts to the following list. Contact your dealer if any loose parts are not included.

Description	Qty	
Generator	1	
Quick Start Guide	1	
Toolkit	Spark Plug Wrench	1
	Combination Wrench	2
Funnel	1	



ASSEMBLY

Remove Shipping Bracket (See fig 1)

- Remove and discard the two RED shipping brackets and mounting hardware before starting the Generator.

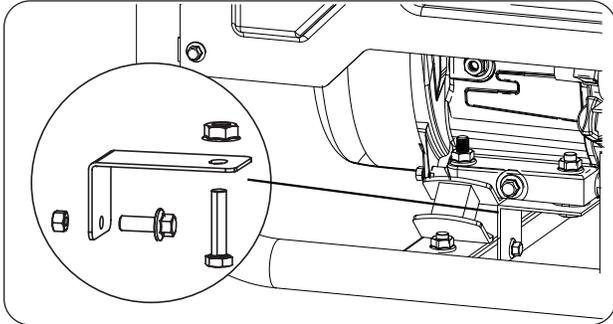


Fig 1

Attaching Battery Cable (See fig 2)

- Parts needed - Black and Red battery cable
- The Red (+) Connector should be attached to the battery first.
- Remove the screw from the battery terminal.
- Place the screw through the eyelet and tighten the screw and make sure the terminal will not touch any part of the frame.
- Install the Red protection boot.
- Repeat these steps for the Black (-) Terminal.

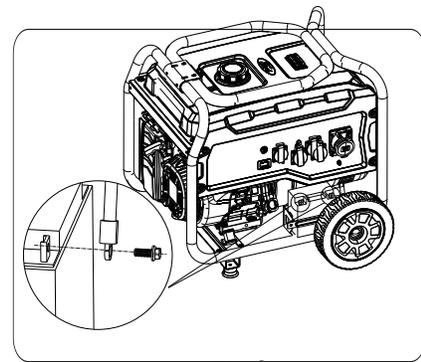


Fig 2

CAUTION Be careful not to short across the terminals when installing. Shorting the terminals together can cause sparks, damage to the battery or generator, or even burns or explosions.

Cover the terminals with the rubber covers

When removing the battery for replacement: Remove the nut and bolt first from the negative (Black) post, then from the positive (Red) post, being careful not to short across the terminals. Always abide by the safety warnings provided with the battery. Remove the battery and dispose of it according to your local and state regulations.

WARNING Battery posts, terminals, and accessories contain lead and lead compounds known to cause cancer and reproductive harm.

- Always wash hands after touching battery.

CAUTION

- The battery used for the electrical starting system is not the standard accessory.
- Recommended to use a non-maintenance Lead-Acid battery with 12VDC.
- The battery must comply with the related EU directive or other international standard.

Antidotes for battery acid

CONTACT	TREATMENT
External	Flush with water.
Internal	Drink large quantities of milk or water, followed by milk of magnesia, vegetable oil or beaten eggs. Get immediate medical attention.
Eyes	Flush with water. Get immediate medical attention.

ASSEMBLY

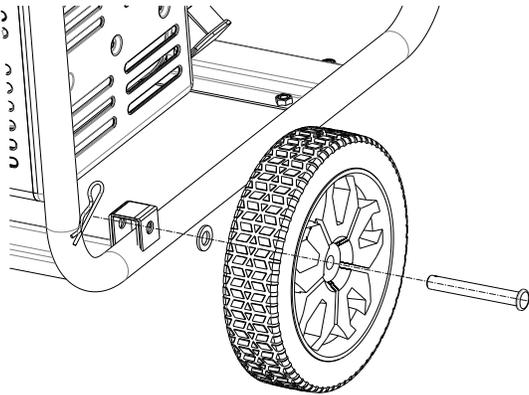


Fig 3

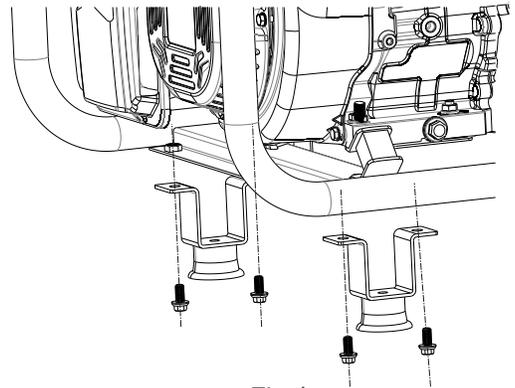


Fig 4

Attaching Wheels (See fig 3)

- Parts needed - 2 wheels, 2 axles, 2 hair pins, 2 washers, 2 hub caps and 2 self-tapping screws.
- Raise or tilt generator so you can slide the wheel axle pin into the wheel, the washer, the wheel mounting hole located on the side of the frame.
- Secure the wheel assembly by reinserting a hair pin through hole at the end of the wheel axle and pressing until it locks into place.
- Install hub cap to the wheel until “Click”. Install self-tapping screw, until the screw is snug.
- Repeat process on the other side of the generator to install the second wheel.

Installing Support Leg (See fig 4)

- Parts needed - Support legs(2) & M8 bolts(4).
- Raise the front end of the generator high enough to gain access to the bottom of the frame. Securely position props underneath to support.
- Line up holes on the support leg bracket to the holes on the front of the generator frame.
- Attach the support leg using M8 bolts(2).

Adding / Checking Engine Oil (See fig 5)

- Place generator on a level surface.
- Remove the crankcase dipstick to ensure you do not overfill the engine.
- Insert a funnel into the crankcase dipstick hold and carefully add 4-Cycle engine oil (SAE10W- 30) to empty reservoir until oil reaches the outer edge of the oil fill hole (crankcase dipstick hole).
- Be sure to replace dipstick before attempting to start the engine.
- To check oil, set generator on a level surface, wipe dipstick clean, then reinsert dipstick without rethreading.

Adding Fuel (See fig 6)

- Set generator on a clean and level surface in an area that is well ventilated.
- Remove fuel cap.
- Insert a funnel into the fuel tank and carefully pour gasoline into the tank until fuel level reaches 1 ½ inches below the top of the neck. Be careful not to overfill the tank to provide space for fuel expansion.

ASSEMBLY



CAUTION

You must add oil before first operating this generator. Always check oil level before each operation.

DO NOT USE E15 OR E85 FUEL IN THIS UNIT. IT IS A VIOLATION OF FEDERAL LAW AND WILL DAMAGE THE UNIT AND VOID YOUR WARRANTY.

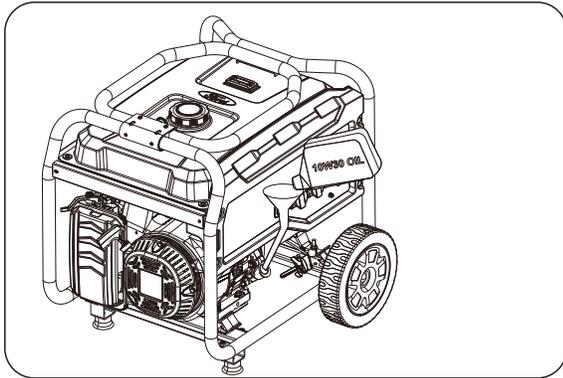


Fig 5

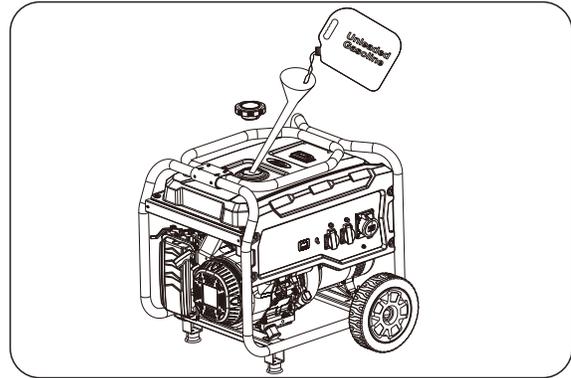


Fig 6

Connecting Generator to an Electrical System

- If connecting generator to a building's electrical system for standby power, you must use a qualified electrician to install a transfer switch. The power from the generator must be isolated from the circuit breaker or alternative power source. The connection must comply with all electrical codes and applicable laws.



WARNING



This generator produces a very high voltage which could result in burn or electrocution causing serious injury or death.

- Never handle the generator, electronic devices, or any cord while standing in water, while barefoot, or when hands or feet are wet.
- Always keep the generator dry. Never operate generator in rain or under wet conditions.
- Use a ground fault circuit interrupter (GFCI) in a damp or highly conductive area, such as metal decking or steel work.
- Never plug electronic devices into generator having frayed, worn, or bare wires. Never touch bare wires or make contact with receptacles.
- Never permit a child or unqualified person to operate generator. Keep children a minimum of 10 feet away from the generator at all times.
- If using the generator for back up power, notify the utility company.
- If connecting generator to a building's electrical system for standby power, you must use a qualified electrician to install a transfer switch. Failure to isolate the generator from the power utility could result in serious injury or death to electric utility workers.

Grounding the Generator (See fig 7)

The ground terminal located on the back of the generator frame must always be used to connect generator to a driven ground rod. Connect the ground terminal to the driven ground rod with a No 8 AWG (American Wire Gauge) copper wire. The wire connects to the terminal between the lock washer and nut. Tighten the nut securely to ensure proper connection. Grounding the generator protects you from electric shock that results from a build up of static electricity or undetected ground faults.

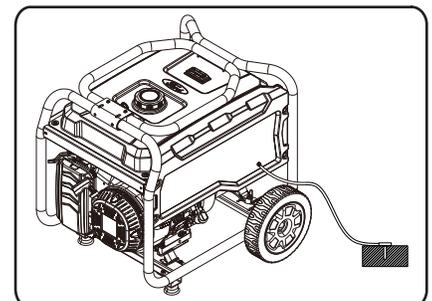


Fig 7

OPERATION



Generator must be properly grounded to prevent electrocution.

- Only operate generator on a level surface.
- Always connect the nut and ground terminal on the frame to an appropriate ground source.

How to Start Engine (See fig 8-12)

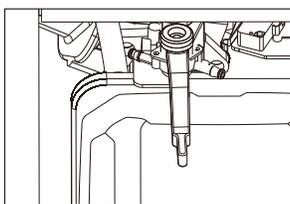
- Place generator on a level surface. All electrical loads **MUST** be disconnected from generator.

Manual state generator

- Place the genset switch handle in the "start" position. At this time the unit's damper is in the "closed" position, and both the oil switch and the engine switch are in the "on" state.(see fig8)
- Gently pull up the start handle until you feel resistance, then pull it quickly as indicated by the arrow in the figure. (see fig9)
- Let the engine run for a few seconds, then gradually, as the engine warms up, slide the switch handle to the RUN position until the switch handle fully slides to the RUN position.(see fig10)

Electric state generator

- Turn fuel valve to the "ON" position. (See fig 11)
- Slide the choke lever to the "Choke" position. (See fig 12) **SKIP THIS IF THE ENGINE IS WARM OR HOT.**
- Turn the START/ON/OFF switch (Key) to the "START" position to attempt to start the Engine. If the Engine cranks and fails to start within 15 seconds wait about 1 minute before attempting to start again. (See fig 13)
- Let engine run for several seconds and then gradually, as engine warms up, slide the choke lever towards the "RUN" position until the choke is fully slid to the "RUN" position. (See fig 14)



Switch handle is in Start position

Fig 8

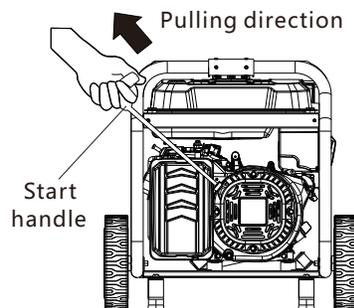
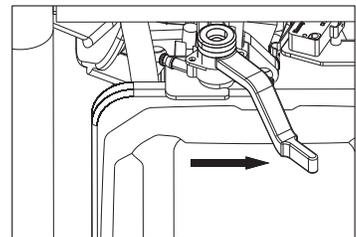


Fig 9



Switch handle is in run position

Fig 10

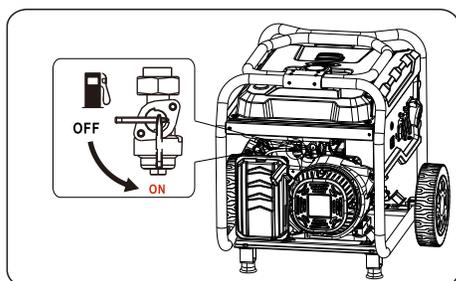


Fig 11

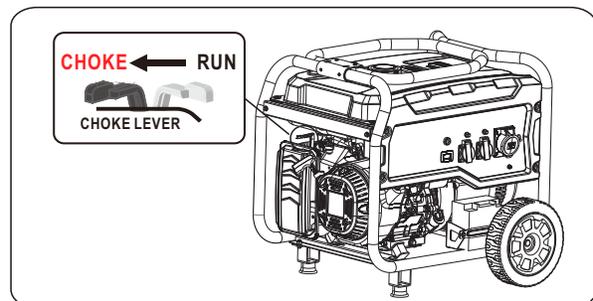


Fig 12

OPERATION



Never start or stop engine with electrical devices plugged in to the receptacles. Failure to do so could damage the generator and / or connected electrical devices.

- Always start the engine and let it stabilize before connecting any electronic devices.
- Disconnect all electronic devices before stopping the engine.



Pull cord recoils rapidly and pulls arm towards engine faster than you can let go which could result in injury.

- To avoid recoil, pull starter cord slowly until resistance is felt, then pull rapidly.

Battery Charger for Electric Starter

- Keep the generator battery fully charged and ready to use to avoid the need to use the recoil starter to start the generator manually.

How to Stop Engine (See fig 15-18)

- All loads MUST be disconnected from the generator. Never start or stop the engine with electrical devices plugged in to the receptacles.(see fig 15)

Manual state generator

- Place the switch handle in the "OFF" position.(see fig 16)

Electric state generator

- Turn the fuel valve to the "OFF" position.(see fig 17)
- Turn the engine START/ON/OFF switch to the "OFF" position.(see fig 18)

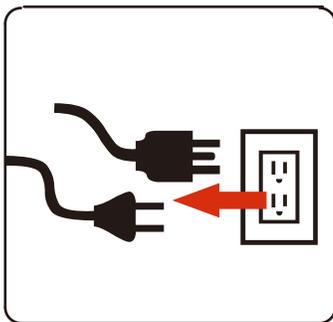
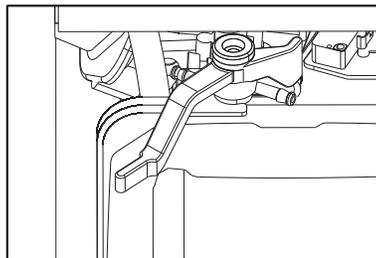


Fig 15



Switch handle is in OFF position

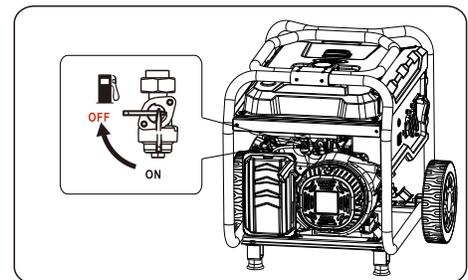


Fig 17

OPERATION

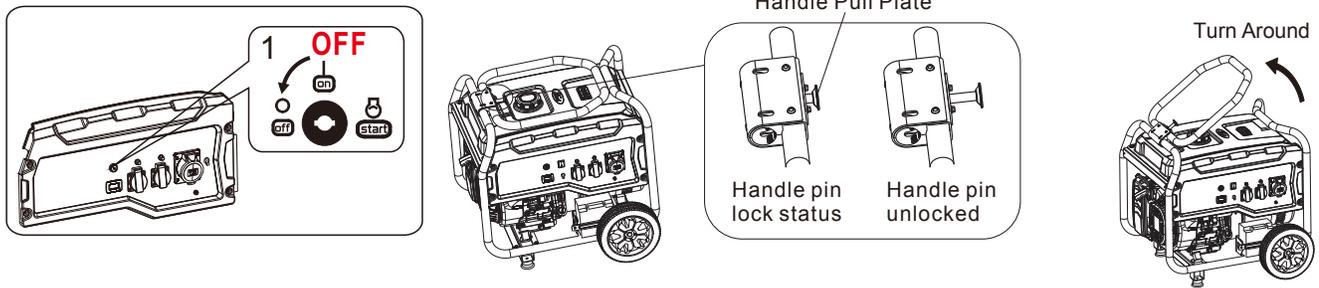


Fig 19

Fig 20

Handle operation(see fig 19-22)

- Use one hand to pull the handle pin puller, then pull it to a certain resistance while the other hand rotates the handle. (The handle pin is unlocked.)
- Rotate the handle to a horizontal position. and make sure the handle pin is in the locked position. Only move the generator set.
- After moving the generator set, place the handle on the handle support block, as shown in the figure on the right, to ensure that the handle pins are locked. Then run the generator set. In storing and transporting the generator set, it is also necessary to put the handle back on the handle support block.

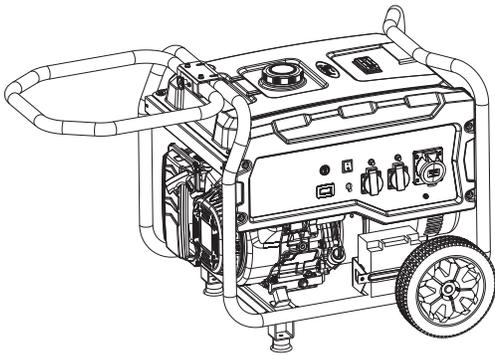


Fig 21

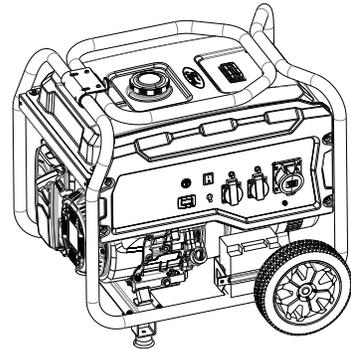


Fig 22

OPERATION

Receptacles and Extension Cords

Only use high quality, well-insulated, grounded extension cords in good condition with generator receptacles. Follow each load manufacturer's power rating recommendation when selecting receptacle and extension cord.

Voltage selector switch—UK

This switch allows the generator to operate in either single voltage 115V or dual voltage (115/230V) mode. When placed in the 115V position it allows you to receive the full capacity of the generator by duplex (5-20R) at 115V receptacles. When placed in the 115/230V position, you will only be able to receive half the available watts when using the 115 volt receptacles and the full available watts when using the 230V 4-prong twist-lock receptacle.



CAUTION

Do not move the voltage selector switch while powering electrical devices. Disconnect all electrical loads before moving the switch. Failure to disconnect electrical loads could damage the switch or generator.



CAUTION

Do not connect 3-phase loads to generator.

Extension Cord Selection

Refer to the below table to ensure the extension cord used has the capacity to carry the required load. If the size of the cable is inadequate it can cause a voltage drop, which can damage the electrical device and cord.

Current (Amps)	Load (Watts)	Maximum Cord Length				
		#8 Wire	#10 Wire	#12 Wire	#14 Wire	#16 Wire
2.5	600	X	1000 ft.	600 ft.	375 ft.	250 ft.
5	1200	X	500 ft.	300 ft.	200 ft.	125 ft.
7.5	1800	X	350 ft.	200 ft.	125 ft.	100 ft.
10	2400	X	250 ft.	150 ft.	100 ft.	50 ft.
15	3800	X	150 ft.	100 ft.	65 ft.	X
20	4800	175 ft.	125 ft.	75 ft.	X	X
25	6000	150 ft.	100 ft.	X	X	X
30	7200	125 ft.	65 ft.	X	X	X

Moving the Generator

- Disconnect any electronic devices from generator then turn generator off.
- Turn fuel valve to the "OFF" position.
- Tilt generator until it balances on wheels. Roll machine to desired location.
- If the generator must be carried, fold handle to the down position. Never lift or carry generator by its handle.



CAUTION

This product is heavy and requires several people to lift. Lift and lower with your legs by bending at the knees, not your back, to avoid injury.

OPERATION

Don't Overload Generator

Make sure you can supply enough rated watts and surge watts for all electronic devices connected to the generator. Rated watts refer to the power a generator must supply to keep a device running. Surge watts refer to the power a generator must supply to start an electronic device. This power surge for starting a device usually lasts between 2-3 seconds but this additional output must be taken into account when selecting the electronic devices you plan to attach to the generator. To prevent overloading the generator take the following steps:

1. Add up the total rated wattage of all electronic devices that will be connected to the generator simultaneously.
2. Estimate surge watts by adding the item(s) with the highest output (it is unnecessary to calculate the surge output for all devices as they should be connected one at a time).
3. Add the Surge Watts to the total Rated Watts in step 1. Keep total load within generator's power capacity.

Operating voltage and frequency requirement of all electronic equipment should be checked prior to plugging them into this generator. Damage may result if the equipment is not designed to operate within a +/- 10% voltage variation, and +/- 3 Hz frequency variation from the generator name plate ratings. To reduce the risk of damage, always have an additional load plugged into the generator if solid state equipment (such as television set) is used. A power line conditioner is recommended for some solid state applications.

Wattage Reference Guide

(Wattages listed are just approximations. Check electronic device for actual wattage)

Essentials	Rated Watts	Surge Watts
75W Light Bulbs	75 each	75 each
18 CU Ft Refrigerator / Freezer	800	2200
Furnace Fan (1/3 HP)	800	2350
Sump Pump (1/3 HP)	1000	2000
Water Pump (1/3 HP)	1000	3000
Heating/Cooling		
Dehumidifier	650	800
Table Fan	800	2000
Window AC (10k BTU)	1200	3600
Central Air (10k BTU)	1500	6000
Electric Blanket	400	400
Space Heater	1800	1800
Kitchen		
Blender	300	900
Toaster (2 slice)	1000	1600
Coffee Maker	1500	1500
Electric Range (1 element)	1500	1500
Dishwasher	1500	3000
Electric Oven	3410	3410
Electric Water Heater	4000	4000
Laundry Room		
Iron	1200	1200
Washing Machine	1150	3400
Gas Clothes Dryer	700	2500
Electric Clothes Dryer	5400	6750

Bathroom	Rated Watts	Surge Watts
Hair Dryer	1250	0
Curling Iron	1500	0
Family Room		
X-Box or Play Station	40	0
AM/FM Radio	100	100
VCR	100	100
Color TV (27")	500	500
Home Office		
Fax Machine	65	0
Personal Computer (17" Monitor)	800	0
Laser Printer	950	0
Copy Machine	1600	0
Power Tools		
1000W Quartz Halogen Work Light	1000	0
Airless Sprayer (1/3 HP)	600	1200
Reciprocating Saw	960	0
Circular Saw (7 1/4")	1400	2300
Miter Saw (10")	1800	1800
Table/Radial Arm Saw	2000	2000
Electric Drill (1/2 HP, 5.4 Amps)	600	900
Hammer Drill	1000	3000
Air Compressor	1600	4500
Other		
Home Security System	500	500
Garage Door Opener (1/3 HP)	750	750

OPERATION



WARNING

Never exceed generator's wattage / amperage capacity. This could damage the generator and / or connected electrical devices.

- Check operating voltage and frequency requirements of all electrical devices prior to plugging them into the generator.

Hour Meter (See Fig 15)

The digital hour meter operates whenever the engine is running and keeps track of how many hours the unit has been used. Use this meter along with the manual to determine when and what type of service on the unit is needed. The display will show the word "LUBE" at the first 25 hours of operation and again at every 100 hours of operation after.

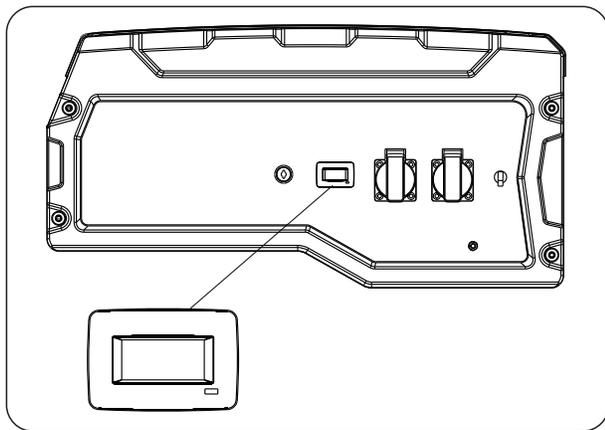


Fig 15

Power Management

- Start engine without anything connected to generator.
- When engine has stabilized, plug in and turn on first load. It is strongly recommended to plug in devices with the largest output first and the smallest output last to help prevent overloading the generator.
- Allow generator output to stabilize (engine and attached devices run evenly) before plugging in the next load.

Cold Weather Operation

Under humid conditions where temperatures drop to 40°F (4°C) the carburetor and/or crankcase breather system may begin to freeze. To prevent icing take the following steps:

1. Replace any old fuel with clean, fresh fuel.
2. Use synthetic 5W-30 or SAE 5W-30 engine oil (See page 21). Check oil daily or after every 8 hours of use.
3. Turn fuel valve to the open position.
4. Ensure generator is serviced according to the maintenance schedule under "Maintenance" section of manual.
5. Shelter unit from elements.

MAINTENANCE

Creating a Temporary Cold Weather Shelter

In an emergency, the original shipping carton can be used as a temporary shelter. The shelter should hold enough heat created by the generator to prevent icing.

1. Cut off all flaps.
2. Cut off one of the long sides of the carton to expose the units muffler and exhaust. Do not enclose the muffler / exhaust side of the generator.
3. Slide carton over generator. If necessary, remove the wheel assembly for fit.
4. Maintain 5 feet of clearance between the open side of box and other objects. The exposed side of the box should face away from the wind and elements.
5. Remove shelter when temperatures reach 40°F (4°C).

Regular maintenance will extend the life of this generator and improve its performance. The warranty does not cover items that result from operator negligence, misuse, or abuse. To receive full value from the warranty, operator must maintain the generator as instructed in this manual, including proper storage.



WARNING

Before inspecting or servicing this machine, make sure the engine is off and no parts are moving. Disconnect the spark plug wire and move it away from the spark plug.

Pre-Operation Steps

Before starting the engine, perform the following pre-operation steps:

- Check the level of the engine oil and the fuel tank level.
- Make sure the air filter is clean.
- Remove any debris that has collected on the generator and around the muffler and controls. Use a vacuum cleaner to pick up loose debris. If dirt is caked on, use a soft bristle brush.
- Inspect the work area for hazards.

After Each Use

Follow the following procedure after each use:

- Shut off engine.)
- Store unit in a clean and dry area.

Maintenance Schedule

After First 5 Hours	Change Oil
After 8 Hours or Daily	Clean Debris
	Check Engine Oil Level
Annually (25 hr Use)	Check and Clean Air Cleaner
	Change Engine Oil (Service more often under dirty or dusty conditions)
	Check Muffler and Spark Arrester
Annually (100 hr Use)	Service Spark Plug (Replace with NGK BP6ES, Champion N9YC or equivalent)
	Service Fuel Valve
	Inspect Muffler and Spark Arrester
	Check and Clean Air Cleaner, Replace Air Filter
	Clean Cooling System

MAINTENANCE

Changing Oil (See Fig 16)

- Run the Generator until the Engine is warm.
- Place generator on a level surface.
- Remove the crankcase dipstick.
- Place an oil pan underneath the oil drainage bolt to collect used oil.
- Remove the oil drainage plug and allow oil to drain completely.
- Reinstall oil drainage plug, tighten securely.
- Carefully add SAE 10W-30 to empty reservoir until the oil reaches the outer edge of the oil fill hole (Crankcase Dipstick hole).
- Replace crankcase dipstick.

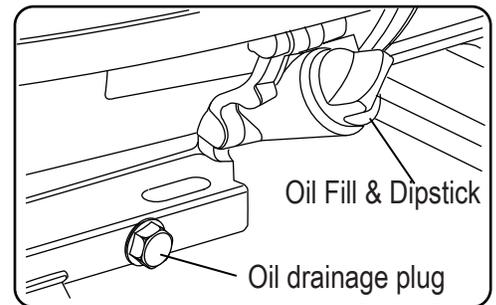
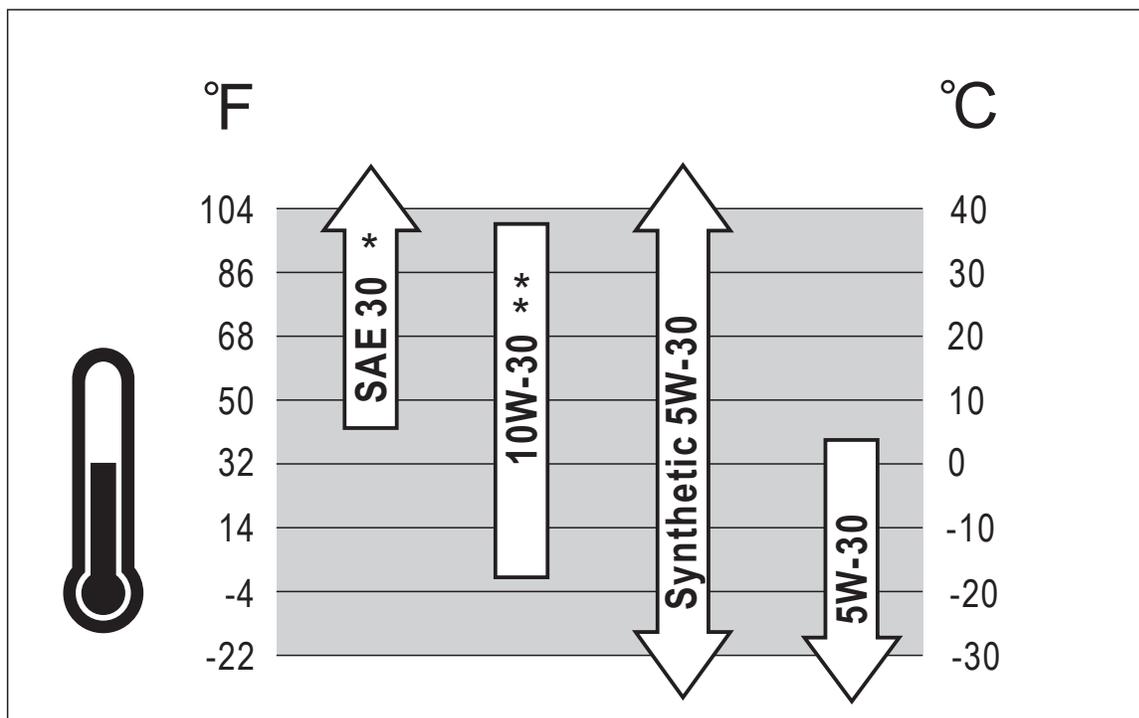


Fig 16

Oil Recommendations

- Do not use special additives.
- Outdoor temperatures determine the proper oil viscosity for the engine. Use the chart to select the best viscosity for the outdoor temperature range expected.



Note: * Below 40°F (4°C) the use of SAE 30 will result in hard starting.

** Above 80°F (27°C) the use of 10W-30 may cause increased oil consumption.
Check oil level more frequently.

MAINTENANCE



CAUTION

Used oil should be disposed of at an approved disposal site. See your local oil retailer for more information.

Air Filter (See Fig 17)

A dirty air filter will reduce the life span of the engine, make it difficult to start the engine, and reduce the unit's performance.

- To clean, remove the air filter cover.
- Carefully pull the air filter out by lifting up along the edges.
- Remove dirt from filter by tapping on it or having it blown out. Replace with new filter annually.
- Reinstall air filter so that it seals and replace air filter cover.

Checking Spark Plug (See Fig 18)

- Disconnect the spark plug wire from the spark plug.
- Before removing the spark plug, clean the area around its base to prevent debris from entering the engine.
- Clean carbon deposits off the electrode with a wire brush.
- Check the electrode gap and slowly adjust to .700 mm - .80 mm (.028 - .031") if necessary.
- Reinstall spark plug and tighten to Torque 22.0 – 26.9 Nm (16-20 ft-lb).
- Reconnect spark plug wire.
- If spark plug is worn replace only with an equivalent replacement part. Spark plug should be replaced annually. (BOSCH F7RTC, NGK BPR6ES, CHAMPION N9YC or Equivalent)

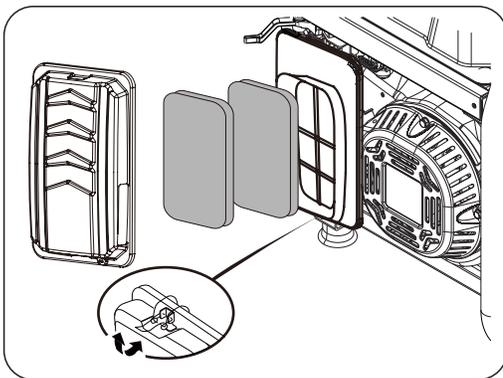


Fig 17

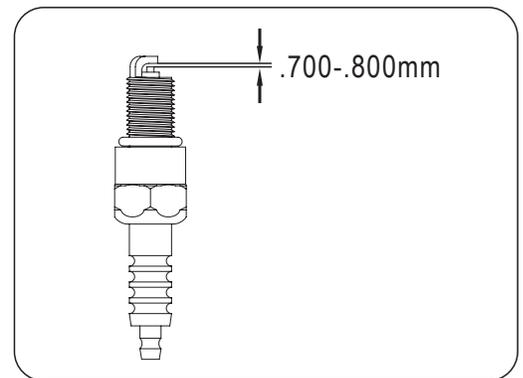


Fig 18

Spark Arrestor (See Fig 19)

- Inspect the spark arrestor for breaks or holes. Replace if necessary. To purchase a replacement spark arrestor contact the customer service.
- Use a brush to remove carbon deposits from the spark arrestor screen as needed.
- To remove the spark arrestor: While the muffler is cool, loosen the locking clamp and slide the spark arrestor out of the muffler. Reverse this process to install it.

Cooling System

Cooling system should only be serviced by an authorized dealer.

MAINTENANCE

Carburetor Adjustment

The carburetor is low emission and is equipped with a non-adjustable idle mixture valve. If adjustment is needed contact an authorized dealer.

Replacing Fuel Filter (See Fig 20)

Occasionally the fuel filter may become clogged and need replacing. To purchase a replacement fuel filter contact the customer service or your local small Engine repair shop.

- Turn the fuel valve to the “OFF” position.
- Remove the fuel line from both sides of the filter by squeezing the ends of the retaining clip with pliers.
- Slide the fuel line off.
- Replace with new fuel filter.
- Reinstall fuel lines to new fuel filter.
- Turn the fuel valve to the “ON” position.



CAUTION Fuel tank must be empty before replacing fuel filter. Run unit until tank is empty, if needed, or inspect filter prior to fill-up.

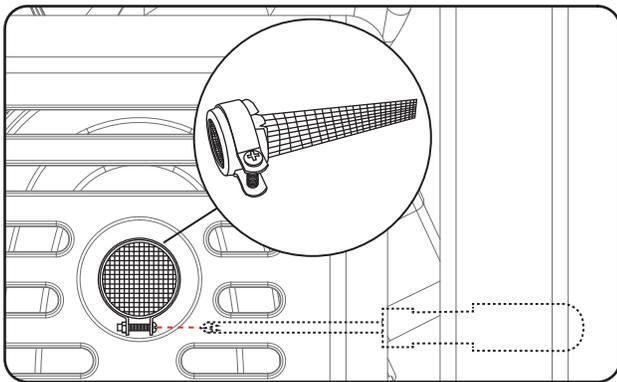


Fig 19

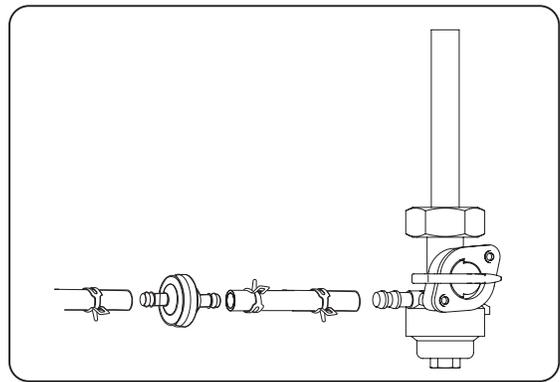


Fig 20

Draining Fuel Tank and Carburetor

To help prevent gum deposits in the fuel system, drain the fuel from the tank and carburetor before storing the unit for long periods of time. This will help prevent starting problems in the future. If the unit is stored with fuel and the fuel becomes stale or turns gummy or to varnish the warranty does not cover this repair or service.

Draining the fuel tank

- Turn the engine OFF.
- Turn the fuel valve to the OFF position.
- Remove the fuel line that leads to the carburetor from the petcock by squeezing the ends of the hose clamps and sliding the fuel line off.
- If needed, install a fuel hose that will extend to a suitable fuel container large enough to catch the fuel being drained from the tank.
- Turn the fuel valve to the ON position.
- When the fuel has drained from the tank, close the fuel valve and reinstall fuel line securely on petcock.

MAINTENANCE

Draining the carburetor

- Turn the engine OFF.
- Turn the fuel valve to the OFF position.
- Position a suitable container under the carburetor drain screw to catch fuel; loosen the screw.
- Allow fuel to drain completely into container.
- Retighten drain screw.



CAUTION

Consult your local hazardous waste management in your area for the proper way to dispose of used fuel.

Storage and Transportation of the Generator: (See Fig 21)

- Remove any debris that has collected on the generator and around the muffler and control panel. Use a brush or vacuum to remove loose dirt.
- Inspect air cooling slots. Remove any debris if obstructed.
- For short-term storage, start generator once every 7 days.
- For semi-long term storage, add fuel stabilizer to prevent stale fuel from causing acid and gum deposits in the fuel system and carburetor
- For long-term storage, drain the fuel.
- Store the generator indoors to prevent freezing.
- The generator must be Shipped, Run and Stored in the upright position as seen in this image.

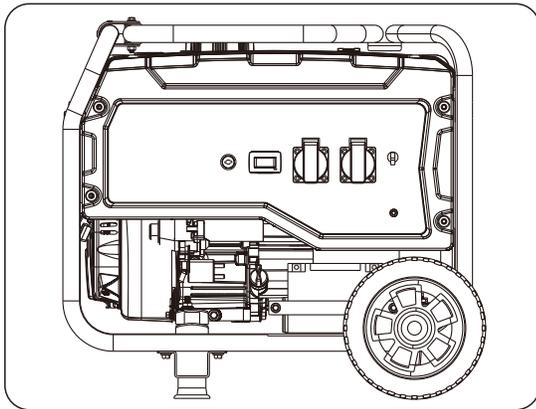


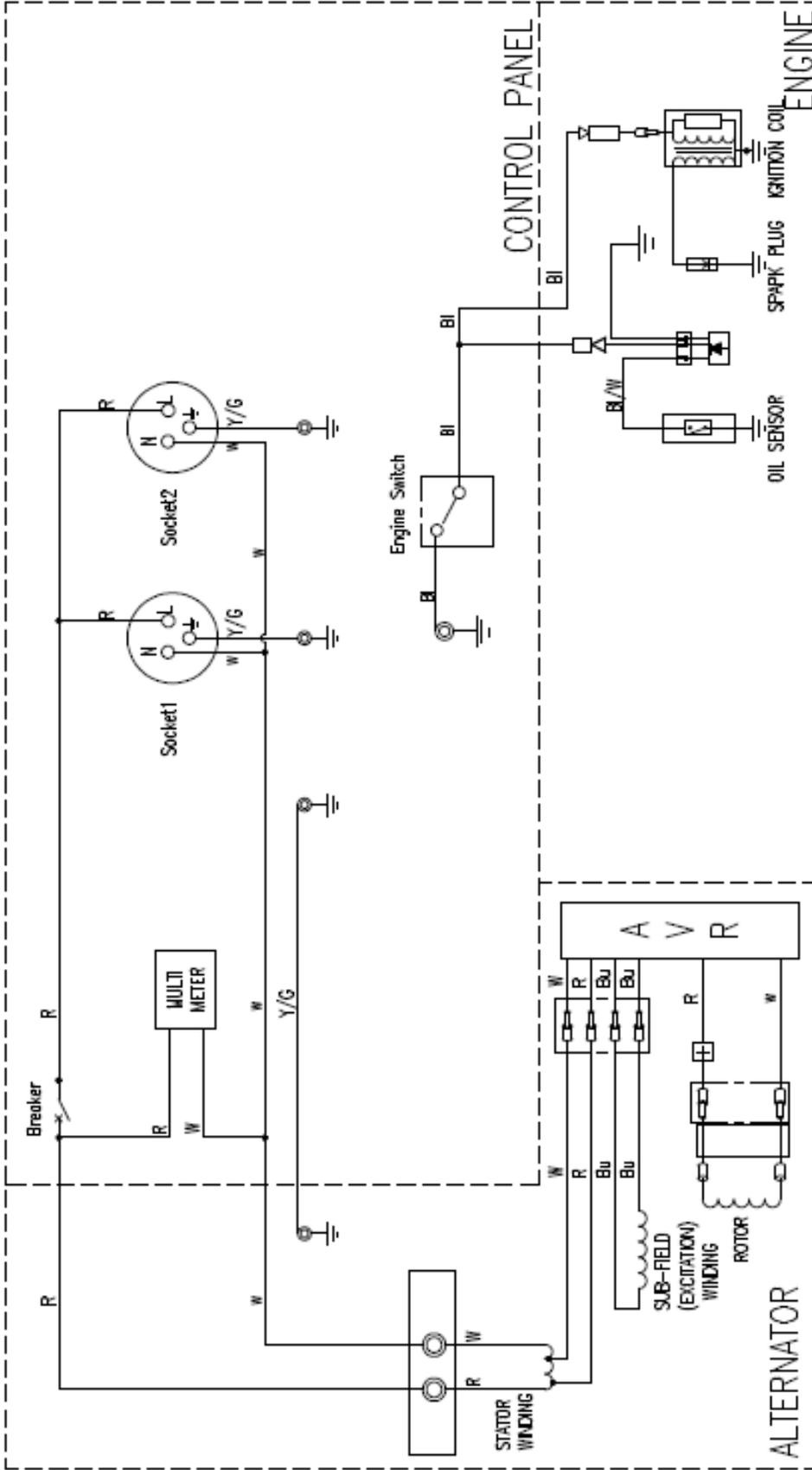
Fig 21

Engine Long Term Storage:

- Remove the spark plug and pour about 1 teaspoon of 10W30 Engine oil into the spark plug hole. Reinstall the spark plug. With the ON/OFF switch in the OFF position pull the recoil starter cord several time to coat the cylinder walls with oil.
- Slowly pull the recoil Starter until you feel the engine build compression (When you feel resistance). Leave the Engine in this state as this will prevent any corrosion on the cylinder walls if stored for a long period of time.

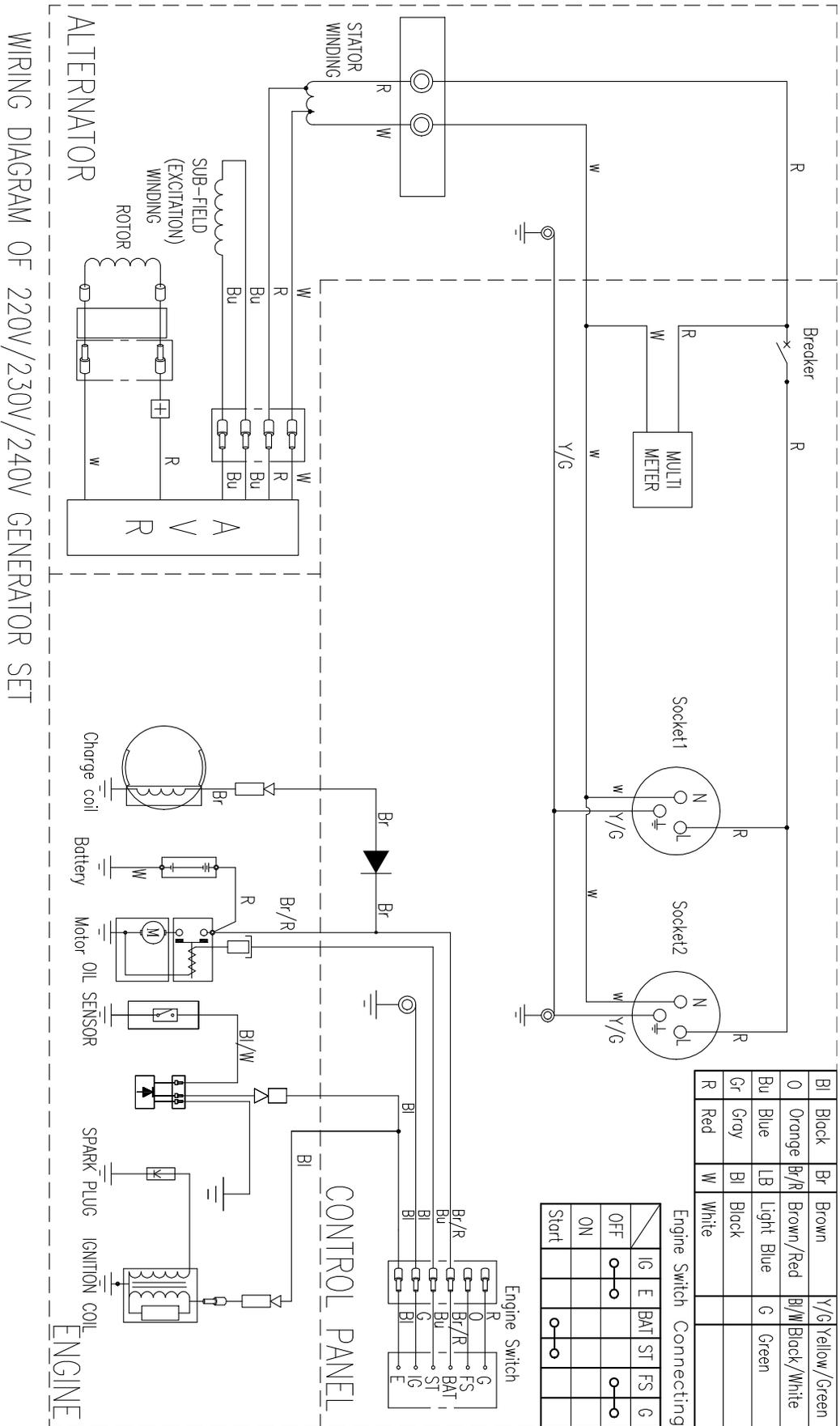
TROUBLESHOOTING

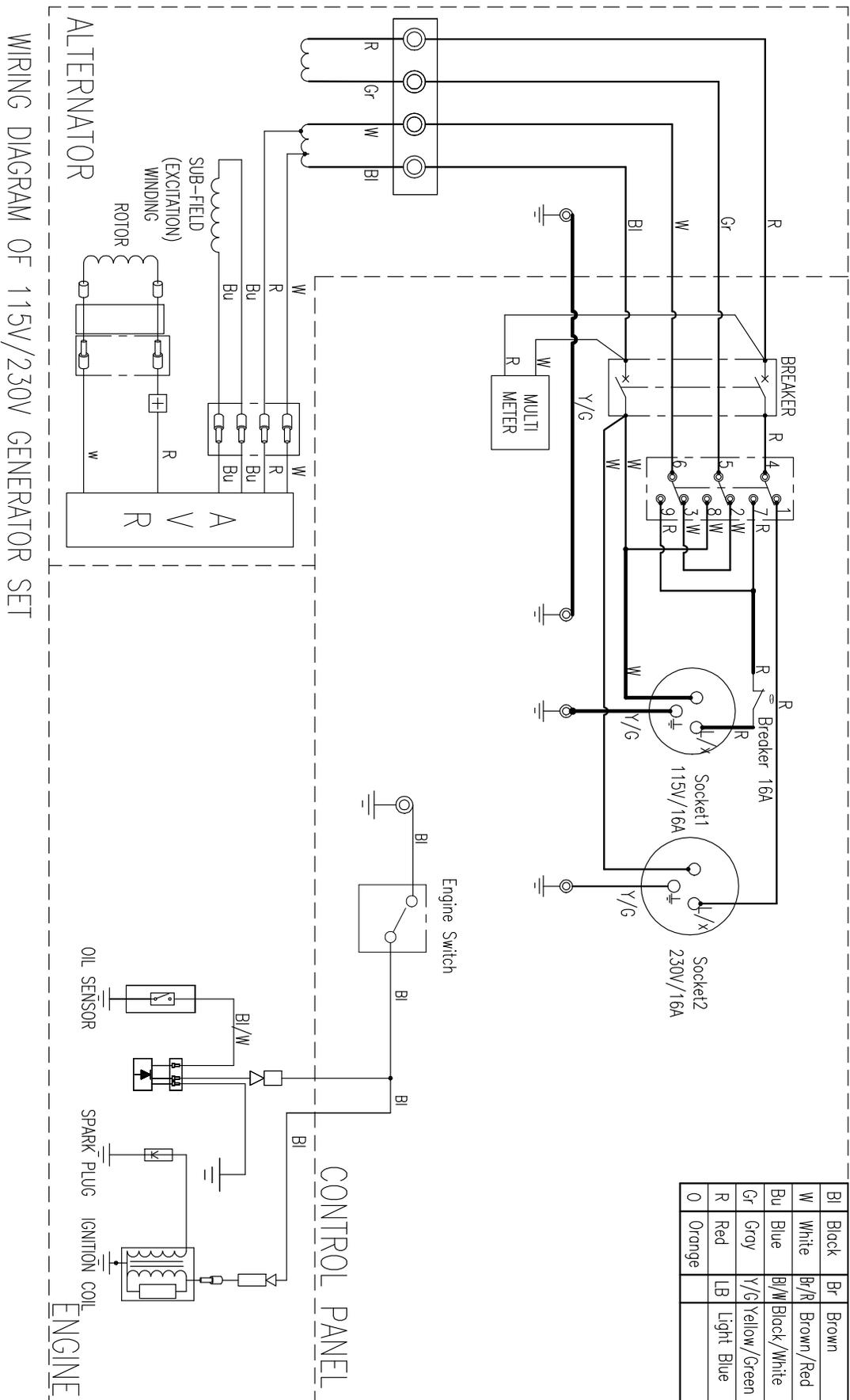
Problem	Cause	Solution
Engine is running, but AC output is not available	<ol style="list-style-type: none"> 1. Open circuit breaker 2. Poor connection 3. Defective cord set 4. Connected device is faulty 5. Fault in generator 	<ol style="list-style-type: none"> 1. Reset circuit breaker 2. Check and repair 3. Check and repair 4. Connect a device that is working properly 5. Contact service department
Engine runs well without load but bogs down when loads are connected	<ol style="list-style-type: none"> 1. Short circuit in connected device 2. Generator is overloaded 3. Clogged fuel filter 4. Engine speed is too slow 5. Short circuit in generator 	<ol style="list-style-type: none"> 1. Disconnect device 2. See pg 18 "Don't overload generator" 3. Clean or replace fuel filter 4. Contact service department 5. Contact service department
Engine will not start, shuts down during operation, or starts and runs rough.	<ol style="list-style-type: none"> 1. ON/OFF switch set to "OFF" 2. Dirty Air filter 3. Clogged fuel filter 4. Stale fuel 5. Spark plug wire disconnected from spark plug 6. Bad spark plug 7. Water in fuel 8. Fuel valve is in "OFF" position 9. Over choking 10. Low oil level 11. Rich fuel mixture 12. Intake valve stuck open or closed 13. Loss of engine compression 14. Dead battery 15. Engine has flooded 	<ol style="list-style-type: none"> 1. Turn switch to "ON" 2. Replace Air filter 3. Clean or replace fuel filter 4. Replace fuel 5. Reconnect spark plug wire 6. Replace spark plug 7. Drain fuel tank and replace fuel 8. Turn fuel valve to "ON" position 9. Turn off choke 10. Fill crankcase to proper oil level & place generator on a level surface 11. Contact service department 12. Contact service department 13. Contact service department 14. Recharge or replace battery 15. Wait 5 minutes and re crank engine
Engine lacks power	<ol style="list-style-type: none"> 1. Generator is overloaded 2. Clogged fuel filter 3. Dirty Air filter 4. Engine needs servicing 	<ol style="list-style-type: none"> 1. See pg 18 "Don't overload generator" 2. Clean or replace fuel filter 3. Replace Air filter 4. Contact service department
Engine "hunts" or falters	<ol style="list-style-type: none"> 1. Choke was removed too soon 2. Clogged fuel filter 3. Carburetor is running too rich or too lean 	<ol style="list-style-type: none"> 1. Move choke to middle position until engine runs evenly 2. Clean or replace fuel filter 3. Contact service department



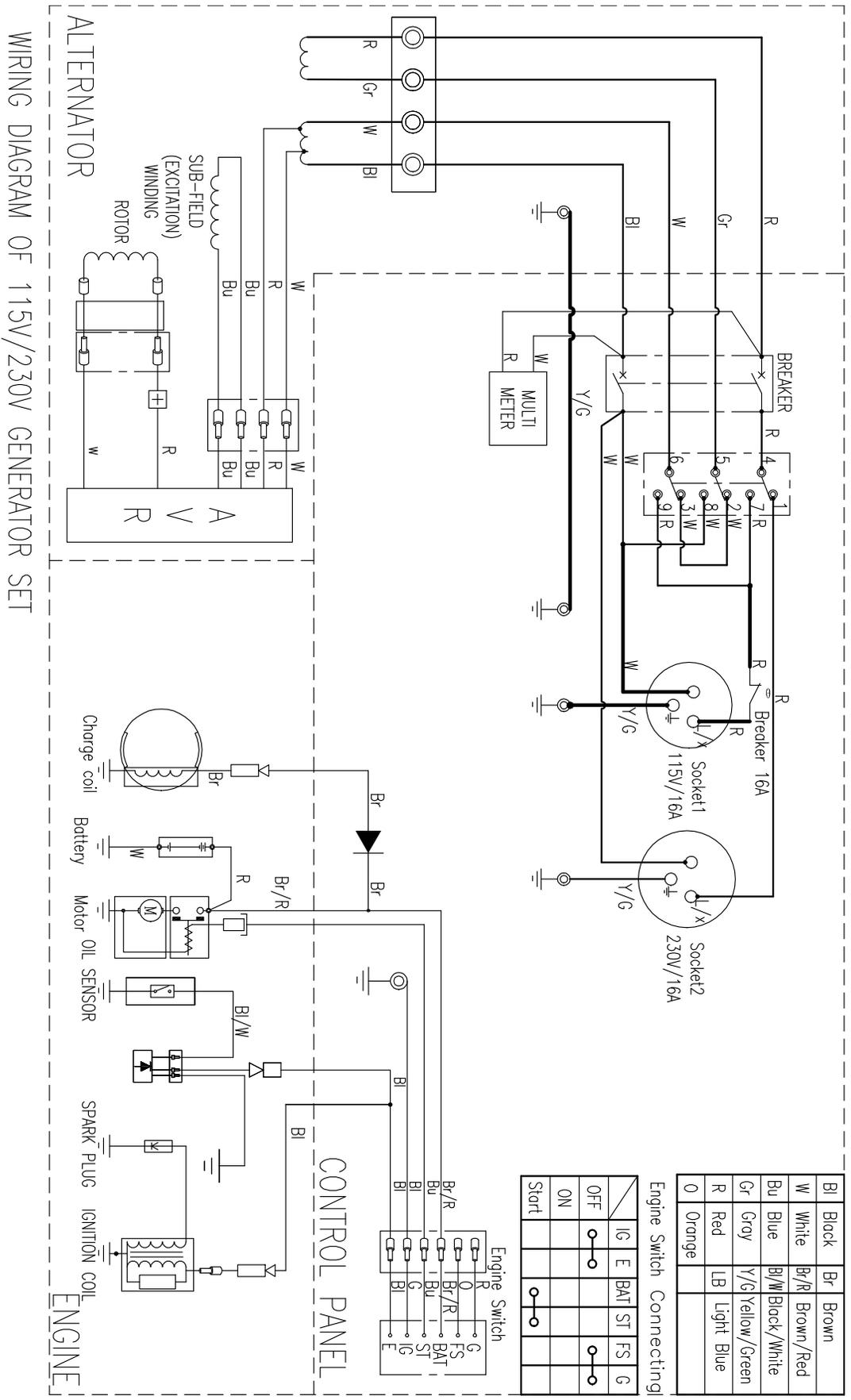
Alternator : Alternator - control panel : control panel - Engine : Engine Engine switch connecting BI

Black	Br	Brown	Y/G	Yellow/Green
O	Orange	Br/R	Brown/Red	BI/W
W	White	W	White	Black/White
BU	Blue	LB	Light Blue	G
Gr	Gray	Bl	Black	
R	Red	W	White	



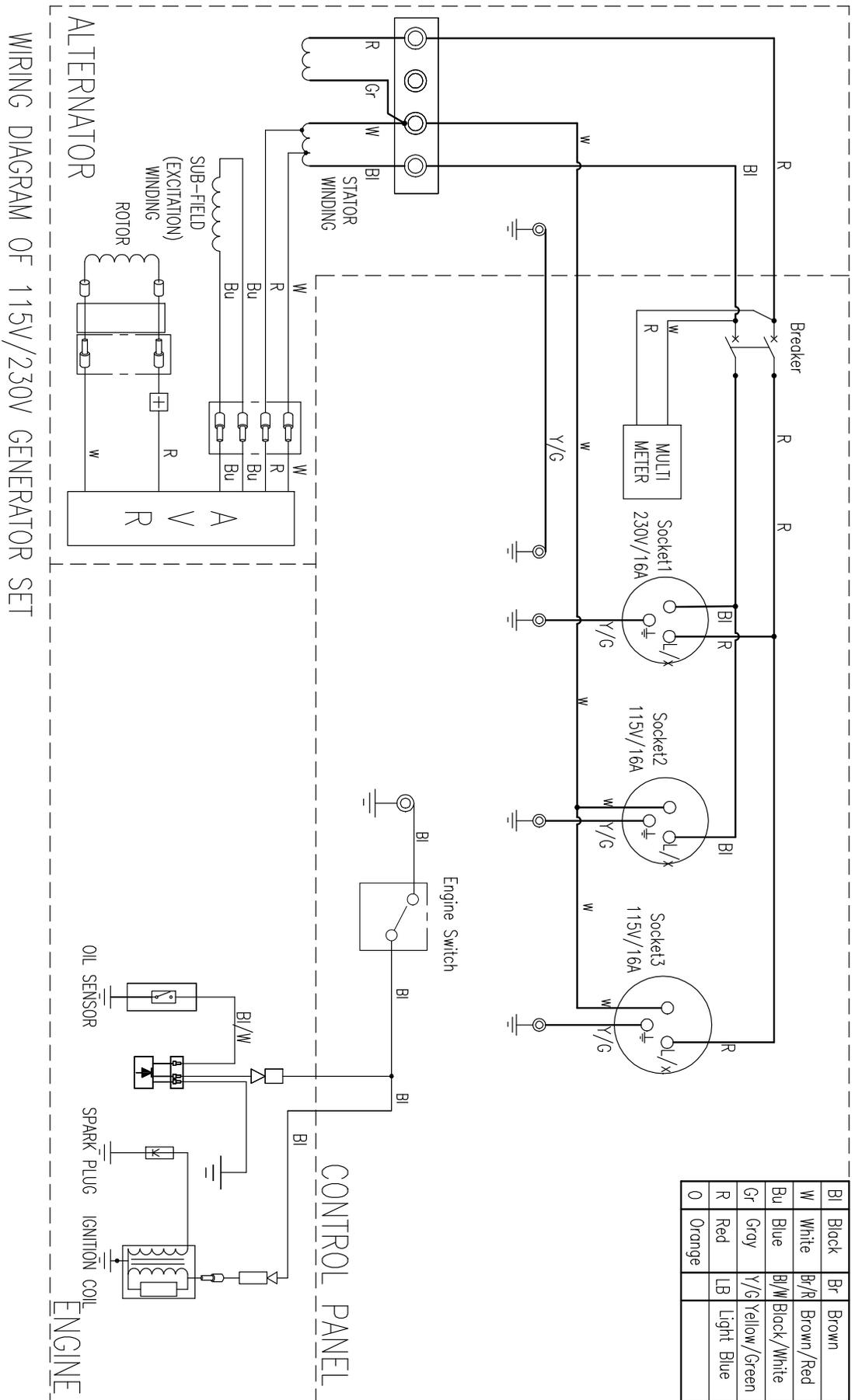


WIRING DIAGRAM OF 115V/230V GENERATOR SET

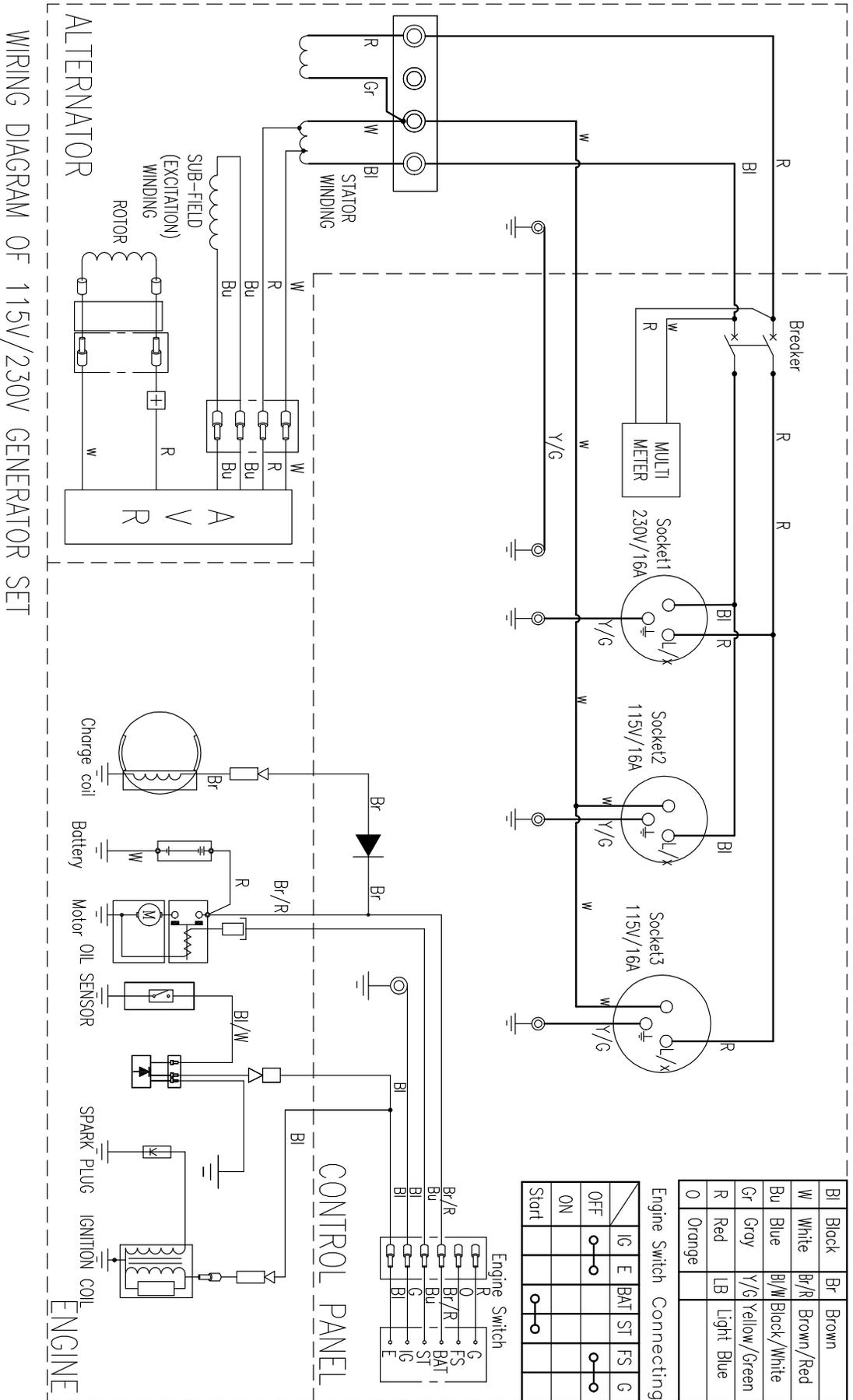


Bl	Black	Br	Brown
W	White	Br/R	Brown/Red
Bu	Blue	Bl/W	Black/White
Gr	Grey	Y/G	Yellow/Green
R	Red	LB	Light Blue
O	Orange		

Engine Switch		Connecting			
OFF	IG	E	BAT	ST	FS
ON					G
Start					



BI	Black	Br	Brown
W	White	Br/R	Brown/Red
Bu	Blue	Bl/W	Black/White
Gr	Gray	Y/G	Yellow/Green
R	Red	LB	Light Blue
0	Orange		



Bl	Black	Br	Brown
W	White	Br/R	Brown/Red
Bu	Blue	Bl/W	Black/White
Gr	Grey	Y/G	Yellow/Green
R	Red	LB	Light Blue
0	Orange		

	IG	E	BAT	ST	FS	G
OFF	○	○	○	○	○	○
ON	○	○	○	○	○	○
Start	○	○	○	○	○	○

NOISE

The figures quoted are emission levels and are not necessarily safe working levels. Whilst there is a correlation between the emission and exposure levels this cannot be used reliably to determine whether or not further precautions are required. Factors that influence the actual level of exposure of work-force include the characteristics of the work room, the other sources of noise, the number of machines and other adjacent processes, and the time for which an operation is exposed to the noise. Also the permissible exposure level can vary from country. This information, however, will enable the user of the machine to make a better evaluation of the hazard and risk. Measured according with ISO8528-10, ISO 3744 and Noise Directive 2000/14/EC.

MODEL	FG4050(E)	FG4650(E)
Emission sound pressure level at the operator's operation (according with ISO8528-10)	73 dB(A)	74 dB(A)
Uncertainty K	2 dB(A)	2 dB(A)
Guaranteed sound power ^{level} L _{WA} (according with Machinery Directive 2000/14/EC and ISO3744)	95 dB(A)	96 dB(A)

SERVICE

WARRANTY:

Please see the separate sheet in accessories.

CE DECLARATION:

Please see the separate sheet in accessories.

HOW TO CONTACT US:

To order parts, receive warranty assistance, or other services inquiries, please see the warranty sheet.
Record the following information below for service or warranty assistance.

Date of Purchase:	
Model Number:	
Series Number:	
UPC Number:	